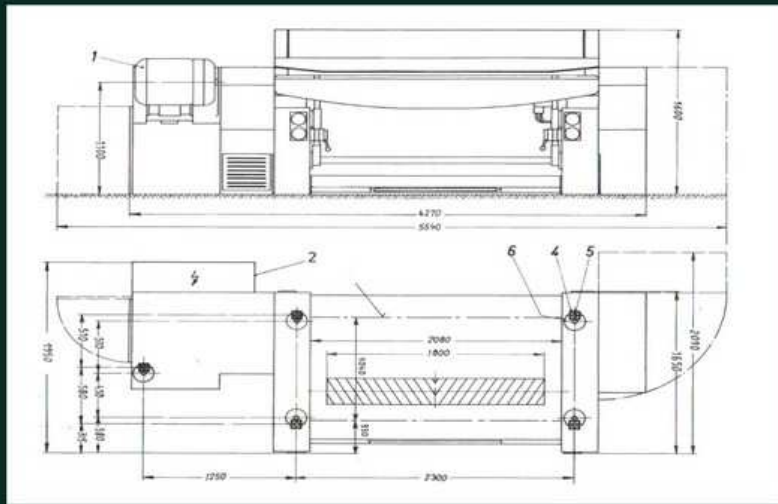


INSTALLATION PLAN - 技术参数



Working width	工作宽度	1800mm
Max. feed-in speed	进皮速度	24 m/min
Total power	总功耗	55 Kw
Bladed roller power	刀辊功耗	45 Kw
Net weight	净重	6200 Kg

TURNER
HIGH QUALITY MACHINERY AND SPARE PARTS
FOR THE LEATHER INDUSTRY

RASANTA

UNIVERSAL SHAVING MACHINE

通用型液压削匀机

Applications

应用

All kind of
leathers

所有皮革

TURNER

32 Avenue Daniel Mercier
07100 Annonay - FRANCE
Tel: +33 475 670 500 / Fax: +33 475 676 526
sales@turner-sas.fr / spareparts@turner-sas.fr
www.turner.fr

精度高

HIGH PRECISION



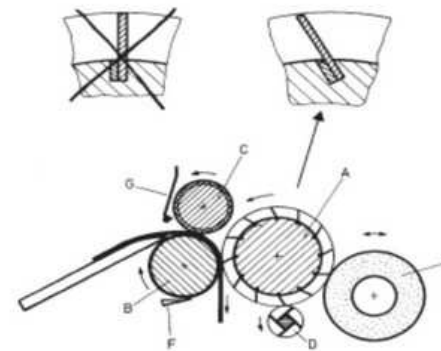
RASANTA PATENTED MACHINE



- Hydraulic opening and closing ensured by rotary jack.
- Possibility to remove the leather from under the feed-in table.
- Support roller with tilting device up to 0.6 mm on its extremities.
- Easy maintenance machine with only a few greasing points.
- Additional equipment available for dry shaving.
- Rapid reversal of rotation device assisting the feed-out of the leather.
- Stable grinding device and free of vibration, permanent or single grinding.
- Device for changing the thickness during operation, pre-selectable and programmable.
- Settings by step of 0.1 mm, pre-selectable and indicated digitally on the control panel.
- Control panel by touch screen indicating the thickness of current work and the thickness to shave.
- Support roller driven by hydraulic motor. Variable speed from 2 to 24 m / min, without staging.
- Bladed roller mounted directly on large diameter bearing boxes for very easy disassembly.
- Automatic return back of the grinding wheel during the operation ensuring the safety of the operator and the leather.
- Special device of control of the bladed roller diameter (Turner patent) ensuring that the support roller never touches the bladed roller.
- Blades in inclined position (Turner patent) improving the cutting conditions with less resistance, improved performance of the blades and improved lifetime.
- Automatic adjustments of the shaving thickness, pre-selectable, guarantying a constant setting, taking into account the wear of the blades. (Patented technology).



- 享有专利的削匀机，自动校准削匀厚度，无需人工调节。
- 开式铸铁机座，适用于削匀所有种类的铬鞣革或植鞣革*
- 重型铸铁结构，非常结实，包含有相当多的代表最新技术发展的优势。
- 削匀的精度和使用的便捷性，使得RASANTA成为日常高效高质工作不可或缺的一部分。
- 自动调节削匀厚度，可以预设，通过补偿刀片损耗可以保证设置不变。专利技术。
- 触摸屏控制面板显示当前厚度和需削厚度。
- 特殊装置控制刀辊直径（特纳专利）以保证托辊和刀辊不会相会碰触。
- 刀片带倾斜角度（特纳专利）以改善切削条件，阻力更小、切削效果更佳，及刀片寿命更长。
- 厚度调节每级为0.1mm，可以预设，控制面板带数显。
- 配有装置可以在操作过程中调节厚度，可以预设和编程。
- 刀辊直接装在大直径轴承箱上，从而使得拆刀辊可以快速且容易。
- 稳定的磨刀装置，不会产生震动。可以连续磨或间歇磨。
- 削皮时砂轮自动撤后，以保证操作者和皮子的安全。
- 螺旋式液压千斤顶控制机器的开/合。
- 液压马达驱动支撑辊，速度可调，自2米/分钟至24米/分钟，不会迟滞。
- 快速倒转装置，可以辅助出皮。
- 支撑辊配有倾斜装置，最大可达0.6 mm。
- 支撑辊涂有硬橡胶，以适用于不同种类的皮革。
- 可以将皮从喂皮台下取走。
- 安全装置覆盖整机，符合最新欧洲标准。



A: Bladed roller / 刀辊
 B: Support roller / 支撑辊
 C: Grip roller / 托辊
 D: Rotor / 转子
 E: Grinding wheel / 砂轮
 F: Scraper / 刮板
 G: Safety cover / 安全盖板

- 托辊可以自由转动，涂有橡胶。
- 维护方便，只有数个加油点。
- 自动皮屑传送带（选配）。
- 增加附属装置可改装为干削机。